

INSTRUCTION MANUAL

SCP-6121

IP Rated “Splashproof” Ceiling Loudspeaker

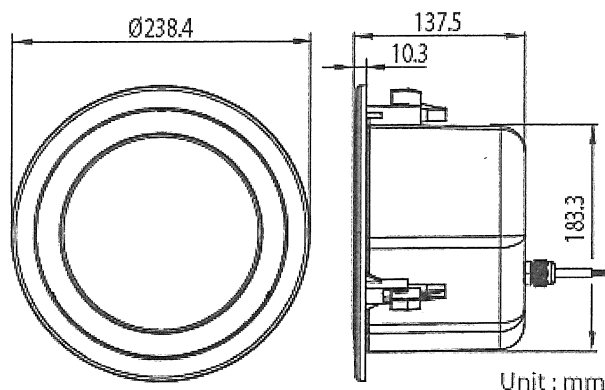
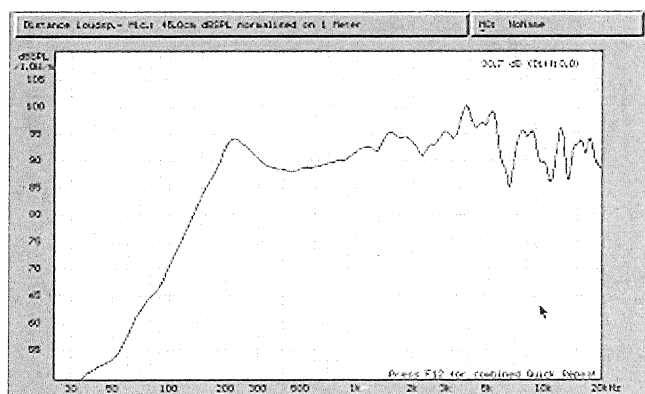
WARNING :

- Installation by qualified persons only.
- Speakers must be wired in parallel and connected to the correct line terminals of amplifier.
- Ensure that all speakers have the same polarity with respect to each other.
- The sum of the nominal power values of all the speakers connected must not exceed 80% of the amplifier’s rated output.
- Do not select another tapping if the speaker is in use!
- No naked flame sources, such as lighted candles, should be placed on the apparatus.
- Minimum distances of 30mm around the apparatus for sufficient ventilation.
- Do not use this speaker with its front upward to prevent malfunctions.

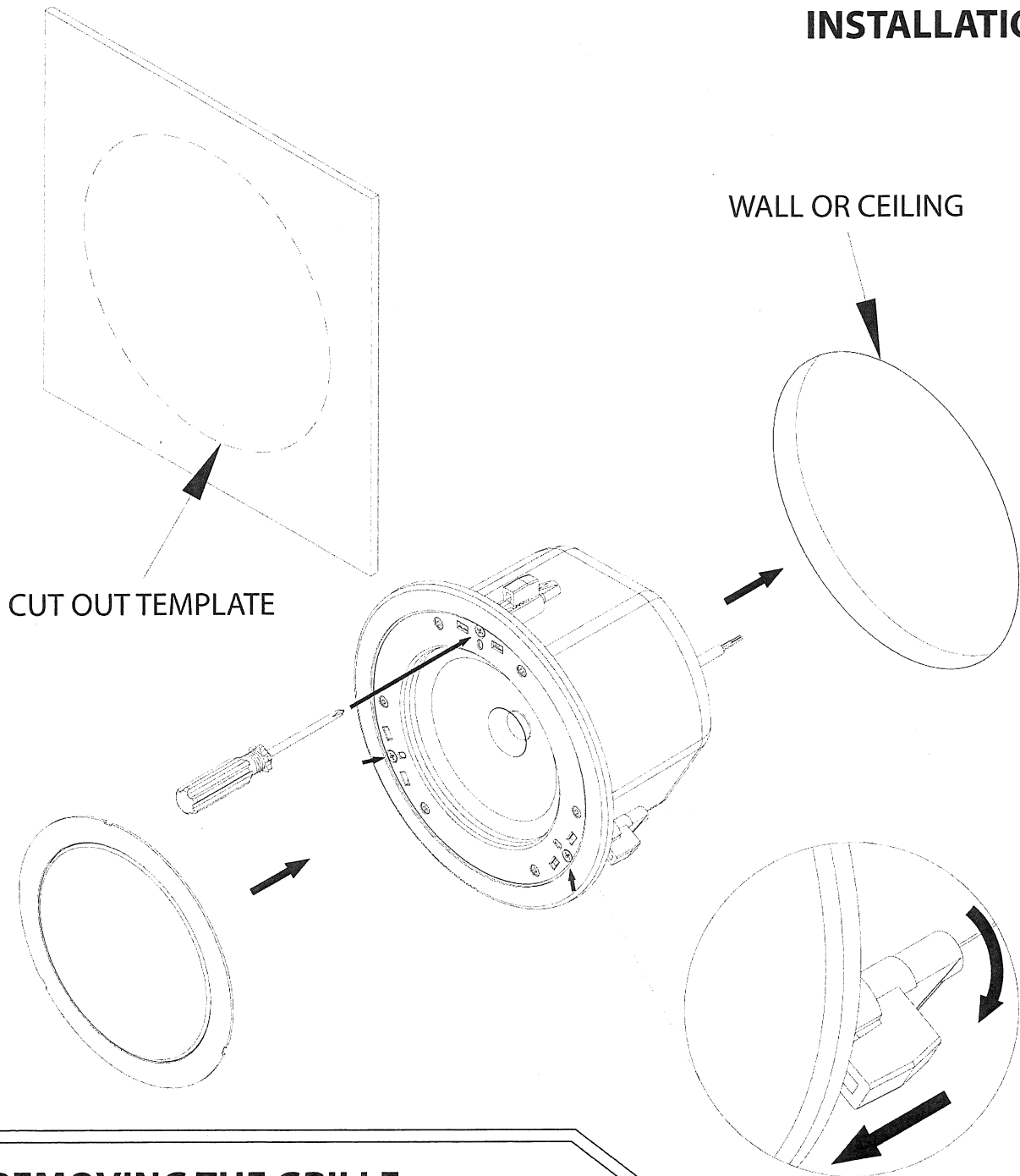
SPECIFICATION :

Model No.	SCP-6121
Rated Power (rms)	12W
Impedance	833Ω, 1.11kΩ, 1.67kΩ, 3.33kΩ, 10kΩ & 8Ω
Power Taps @ 100V	12W, 9W, 6W, 3W, 1W & 8Ω
Power Taps @ 70V	6W, 4.5W, 3W, 1.5W, 0.5W & 8Ω
SPL (1W/1m)	91dB
Max. SPL (Rated W/1m)	102dB
Frequency Range (-10dB)	130 Hz ~ 20k Hz
Dispersion 1k Hz/4k Hz	220° / 65°
Ingress Protection	IEC529 IP55
Power Selection	7 - core cable
Material	Baffle: ABS, Grille: Aluminium, Enclosure: ABS.
Colour/Finish	White (RAL 9016)
Dimensions	238.4 (9.39) Dia. X 137.5 (5.41) Height mm. (in.)
Cutout Size	210.0 (8.26) Dai. mm. (in.)
Net Weight (ea)	2.00 kg (4.44 lb.)
Mounting	Rotating mount tabs

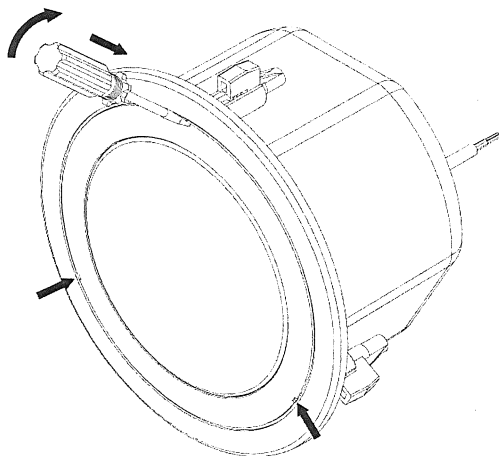
Frequency Response



INSTALLATION



REMOVING THE GRILLE



1. Insert a slotted screwdriver into any one of the three tiny holes located in the front grille.
2. Once inserted, pry open the grille.
3. Tighten or loosen the 3 screws inside to install or remove the loudspeaker.